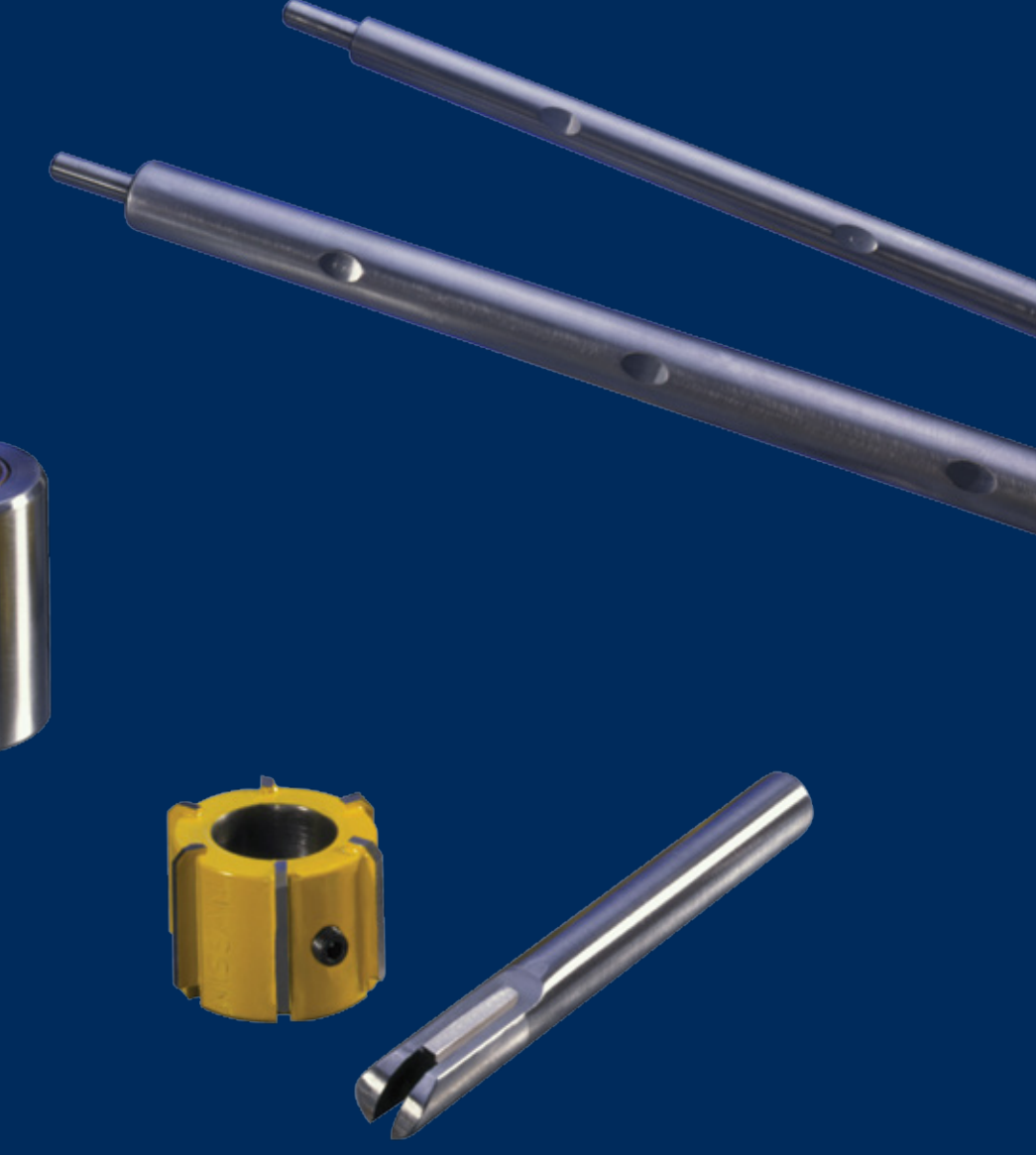
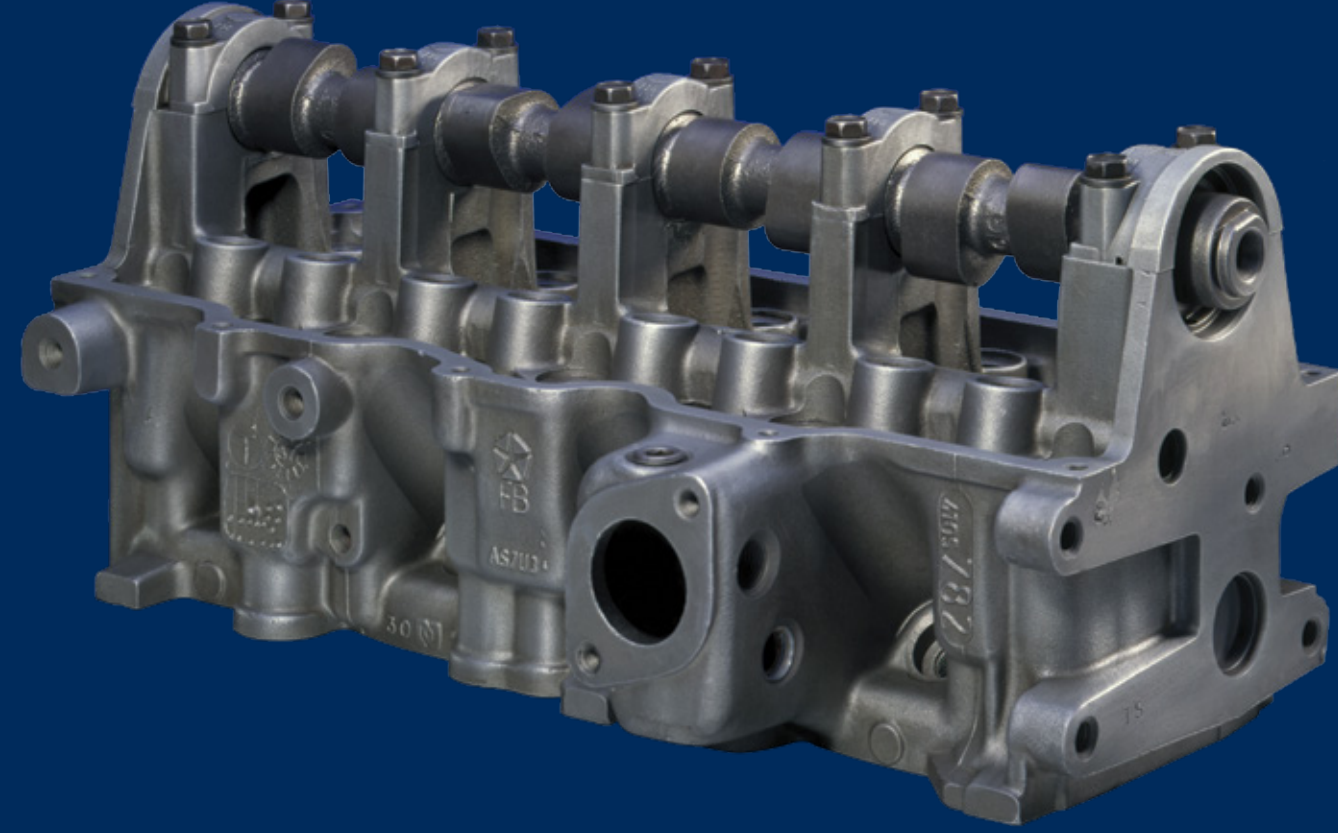


# RECUPERERA TU CABEZA CON BUJES Y COJINETES



## Metalbond

DURABONDEMEXICO, S.A. DEC. V.



### Ahorra tiempo y dinero

Asistencia técnica: 01800 717 8324 [www.durabondmexico.com](http://www.durabondmexico.com)

APLICACIÓN	N° DBM	COMPONENTE	POSICIÓN	ANCHO	PARED	CLARO DE ACEITE	MEDIDA	CODIGO	CENTRADORES				CORTADORES						
									MEDIDAS	PZAS.	CODIGO	IGUAL A	MEDIDAS	CODIGO	IGUAL A	MUÑONES DEL ARBOL			
BMW 24 VAL. 2.8 LTS. L6 328I	BMA-1	BMA-1-1	1	0.800	0.415-0.421	.0011-.0032	5/8	DBH-B-1	1.177-1.186	2	DBH-C-27	16	1.265	DBH-CO-27	3	1.1700			
FORD MAZDA COURIER 1.6 LTS.	F-41	F-41-1	1	0.945	0.0794	.0005-.0036	7/8	YA VENIE CORTADO								1.9300			
		F-41-2	2-3	0.700	0.0794	.0005-.0036													
FORD ESCORT 1.9 LTS.	FA-1	FA-1-1	1	0.925	0.0503	.0005-.0036	7/8	DBH-B-2	1.800-1.810	2	DBH-C-12					1.8015			
		FA-1-2	2	0.925	0.0478	.0005-.0036													
		FA-1-3	3	0.925	0.0453	.0005-.0036													
		FA-1-4	4	0.925	0.0428	.0005-.0036													
		FA-1-5	5	0.925	0.0403	.0005-.0036													
FORD ESCORT 1.6 LTS.	FA-2	FA-2-1	1	0.845	0.0403	.0005-.0032	7/8	DBH-B-2	1.760-1.770	1	DBH-C-13A				1.7615				
		FA-2-2	2	0.845	0.0403	.0005-.0032													
		FA-2-3	3	0.845	0.0403	.0005-.0032													
		FA-2-4	4	0.845	0.0403	.0005-.0032													
		FA-2-5	5	0.845	0.0403	.0005-.0032													
FORD 1991 4.6 LTS.	FA-3	FA-3-1	1-2-3-4-5-6	0.545	0.0464	.0011-.0031	5/8	DBH-B-1	1.060-1.067	3	DBH-C-4	9	1.155	DBH-CO-4	2	1.0608			
																	1.153-1.161	3	DBH-C-4
FORD 4.6 LTS. DOHC 16VAL V8 MARQUIZ	FA-4	FA-4-1	1-6-7-12	0.560	0.0464	.0011-.0031	5/8	DBH-B-1	1.060-1.067	3	DBH-C-4	9	1.155	DBH-CO-4	2	1.0608			
																	1.153-1.161	2	DBH-C-4
FORD MYSTIQUE V6 2.8 LTS.	FA-5D	FA-5-4	1	0.785	0.0465	.0011-.0039	5/8	DBH-B-1	1.060-1.067	3	DBH-C-30	9	1.155	DBH-CO-30	2	1.0608			
		FA-5-2	2-3-4-6-7-8	0.520	0.0465	.0011-.0039													
		FA-5-3	5	0.785	0.0465	.0011-.0039													
		FA-5-1	1	0.785	0.0465	.0011-.0039													
		FA-5-2	2-3-4-6-7-8	0.520	0.0465	.0011-.0039													
FORD MYSTIQUE V6 2.6 LTS.	FA-5I	FA-5-1	1	0.785	0.0465	.0011-.0039	5/8	DBH-B-1	1.060-1.067	3	DBH-C-29	9	1.155	DBH-CO-29	2	1.0608			
		FA-5-2	2-3-4-6-7-8	0.520	0.0465	.0011-.0039													
		FA-5-3	5	0.785	0.0465	.0011-.0039													
		FA-5-4	4	0.785	0.0465	.0011-.0039													
		FA-5-5	5	0.785	0.0465	.0011-.0039													
FORD 3.0 LTS. SABLE DERECHA 24 VAL	FA-6D	FA-6-2	2-3-4-6-7-8	0.525	0.0465	.0011-.0039	5/8	DBH-B-1	1.060-1.067	3	DBH-C-30	9	1.155	DBH-CO-30	2	1.0608			
		FA-6-1	1	0.785	0.0465	.0011-.0039													
		FA-6-3	3	0.785	0.0465	.0011-.0039													
		FA-6-4	4	0.785	0.0465	.0011-.0039													
		FA-6-5	5	0.785	0.0465	.0011-.0039													
FORD 3.0 LTS. SABLE IZQUIERDA 24 VAL	FA-7I	FA-7-1	1-5	0.785	0.0465	.0011-.0032	5/8	DBH-B-1	1.060-1.067	3	DBH-C-30	9	1.155	DBH-CO-30	2	1.0608			
		FA-7-2	2-3-4-6-7-8-9	0.525	0.0465	.0011-.0032													
FORD V10 MUSTANG LOBO 5.4 LTS. DOHC	FR-8YJ	FR-8-1	1-2-3-4-5-6-7-8-9	0.555	0.0464	.0011-.0031	5/8	DBH-B-1	1.060-1.067	3	DBH-C-30	9	1.155	DBH-CO-30	2	1.0608			
		FR-8-2	9-8	0.555	0.0464	.0011-.0031													
		FR-8-3	10	0.555	0.0464	.0011-.0031													
		FR-8-4	10	0.555	0.0464	.0011-.0031													
		FR-8-5	10	0.555	0.0464	.0011-.0031													
FORD V10 MUSTANG LOBO 5.4 LTS. DOHC	FR-9	FR-9-1	1-3-4-5-7	0.555	0.0464	.0011-.0031	5/8	DBH-B-1	1.060-1.067	3	DBH-C-30	9	1.155	DBH-CO-30	2	1.0608			
		FR-9-2	1 TAPA POS 2-6	0.555	0.0464	.0011-.0031													
		FR-9-3	1 TAPA POS 2-6	0.555	0.0464	.0011-.0031													
		FR-9-4	1 TAPA POS 2-6	0.555	0.0464	.0011-.0031													
		FR-9-5	1 TAPA POS 2-6	0.555	0.0464	.0011-.0031													
FLECHA BALANCEADORA	FRG-8	FRG-8-1	10	0.555	0.0464	.0011-.0031	5/8	DBH-B-1	1.060-1.069	3	DBH-C-30	11	1.061	DBH-CO-4	12	1.0608			
		FRG-8-2	10	0.555	0.0464	.0011-.0031													
		FRG-8-3	10	0.555	0.0464	.0011-.0031													
		FRG-8-4	10	0.555	0.0464	.0011-.0031													
		FRG-8-5	10	0.555	0.0464	.0011-.0031													
FORD LOBO 5.4 LTS. MUSTANG	FA-10	FA-10-1	1	1.125	0.0460	.0011-.0023	5/8	DBH-B-1	1.124-1.133	3	DBH-C-46	1.219	DBH-CO-45	1.219	DBH-CO-45	1.2190			
		FA-10-2	1-3-4-5	0.900	0.0460	.0011-.0023													
		FA-10-3	1-3-4-5	0.900	0.0460	.0011-.0023													
		FA-10-4	1-3-4-5	0.900	0.0460	.0011-.0023													
		FA-10-5	1-3-4-5	0.900	0.0460	.0011-.0023													
FORD 4.0 SHOC V6 EXPLORER/AEROSTAR	FA-11	FA-11-1	1	0.960	0.042	.0011-.0027	5/8	DBH-B-1	1.098-1.107	2	DBH-C-32	7	1.184	DBH-CO-32	10	1.1000			
		FA-11-2	2-3-4	0.685	0.042	.0011-.0027													
		FA-11-3	2-3-4	0.685	0.042	.0011-.0027													
		FA-11-4	2-3-4	0.685	0.042	.0011-.0027													
		FA-11-5	2-3-4	0.685	0.042	.0011-.0027													
FORD 250 5.4 LTS. CABEZA DERECHA 3 VALVULAS POR CILINDRO 2005 Lincoln y Navigator V8	FA-12	FA-12-1	1	1.215	0.046	.0011-.0023	5/8	DBH-B-1	1.124-1.133	3	DBH-C-46	1.219	DBH-CO-45	1.219	DBH-CO-45	1.2190			
		FA-12-2	2-3-4-5	0.645	0.046	.0011-.0023													
		FA-12-3	2-3-4-5	0.645	0.046	.0011-.0023													
		FA-12-4	2-3-4-5	0.645	0.046	.0011-.0023													
		FA-12-5	2-3-4-5	0.645	0.046	.0011-.0023													
FORD 250 5.4 LTS. CABEZA IZQUIERDA 3 VALVULAS POR CILINDRO 2005	FA-13	FA-13-1	2-3-4-5	0.645	0.046	.0011-.0023	5/8	DBH-B-1	1.124-1.133	3	DBH-C-46	1.219	DBH-CO-45	1.219	DBH-CO-45	1.2190			
		FA-13-2	2-3-4-5	0.645	0.046	.0011-.0023													
		FA-13-3	2-3-4-5	0.645	0.046	.0011-.0023													
		FA-13-4	2-3-4-5	0.645	0.046	.0011-.0023													
		FA-13-5	2-3-4-5	0.645	0.046	.0011-.0023													
FORD KONA X4 COURIER 1.6 LTS. L4	FA-14	FA-14-1T	1 TAPA POS 1	0.65	0.0401	.011-.0029	5/8	DBH-B-1	0.941-0.950	2	DBH-C-33	17	1.026	DBH-CO-33	11	0.9450			
		FA-14-1B	1 BASE POS 1	0.800	0.0401	.011-.0029													
		FA-14-2	2-3-4-5	0.650	0.0401	.011-.0029													
		FA-14-3	2-3-4-5	0.650	0.0401	.011-.0029													
		FA-14-4	2-3-4-5	0.650	0.0401	.011-.0029													
CHEVY LUV 2.2 LTS. / 2.3 LTS. L4	GMA-8	GMA-8-1	1	0.875	0.0592	.0016-.0038	7/8	DBH-B-2	1.670-1.678	1	DBH-C-47	4	1.800	DBH-CO-49	1.6720				
		GMA-8-2	2	0.765	0.0579	.0016-.0038													
		GMA-8-3	3	0.865	0.0529	.0016-.0038													
		GMA-8-4	4	0.755	0.0479	.0016-.0038													
		GMA-8-5	5	0.755	0.0429	.0016-.0038													
GENERAL MOTOR 1.4 LTS. CHEVY POP	GMA-9	GMA-9-1	1	0.960	0.0402	.0011-.0039	7/8	DBH-B-2	1.593-1.601	1	DBH-C-21				1.5940				
		GMA-9-2	2	0.645	0.0442	.0011-.0039													
		GMA-9-3	3	0.760	0.0492	.0011-.0039													
		GMA-9-4	4	0.645	0.0542	.0011-.0039													
		GMA-9-5	5	0.810	0.0592	.0011-.0039													
GM ZAFIRA, VECTRA, 2.2 LTS. L4	GMA-10	FA-3-1	1AL 12	0.545	0.0460	.011-.0031	5/8	DBH-B-1	1.060-1.067	3	DBH-C-30	9	1.155	DBH-CO-30	2	1.0608			
		1.153-1.161	3	DBH-C-30	11	1.061											DBH-CO-30	12	
		1.153-1.161	2	DBH-C-30	11	1.061											DBH-CO-30	12	
		1.153-1.161	3	DBH-C-30	11	1.061											DBH-CO-30	12	
		1.153-1.161	3	DBH-C-30	11	1.061											DBH-CO-30	12	
GM MATIZ 1.0 LTS. L4	GMA-11	GMA-11-1	1	0.900	0.0652	.0011-.0029	7/8	DBH-B-2	1.708-1.707	1	DBH-C-54				1.7100				
		GMA-11-2	2	1.055	0.0612	.0011-.0029													
		GMA-11-3	3	1.050	0.0577	.0011-.0029													
		GMA-11-4	4	1.050	0.0532	.0011-.0029													
		GMA-11-5	5	1.500	0.0492	.0011-.0029													
GM PONTIAC G5 VECTRA 2.4 LTS. L4	GMA-12	GMA-12-1	1	1.180	0.0461	.0011-.0031	5/8	DBH-B-1	1.060-1.067	3	DBH-C-4	9	1.155	DBH-CO-4	2	1.0608			
		GMA-12-2T	TAPA 2-3-4-5-7-8-9-10	0.700	0.0461	.0011-.0031													
		GMA-12-3B	BASE 2-3-4-5-7-8-9-10	0.540	0.0461	.0011-.0031													
		GMA-12-3	1	1.180	0.0461	.0011-.0031													
		GMA-12-4	1	1.180	0.0461	.0011-.0031													
GM ASTRA 2.2 LTS.	GMA-13	GMA-13-1	1	0.705	0.0465	.0011-.0028	5/8	DBH-B-1	1.060-1.067	3	DBH-C-4	9	1.155	DBH-CO-4	2	1.0608			
		GMA-13-2T	2-3-4-5-7-8-9-10	0.710	0.0465	.0011-.0028													
		GMA-13-3B	2-3-4-5-7-8-9-10	0.530	0.0465	.0011-.0028													
		GMA-13-3	11	1.300	0.0465	.0011-.0028													
		GMA-13-4	11	1.300	0.0465	.0011-.0028													
GM 1.6 LTS., 2.0 LTS. OPTRA, ASTRA, TRACKER	GMA-14	GMA-14-1	1	0.900	0.0412	.0012-.0025	5/8	DBH-B-1	1.098-1.107	2	DBH-C-32	7	1.184	DBH-CO-32	10	1.1000			
		GMA-14-2T	2-3-4-5	0.640	0.0412	.0012-.0025													
		GMA-14-3	6	0.700	0.0412	.0012-.0025													
		GMA-14-4	6	0.700	0.0412	.0012-.0025													
		GMA-14-5	6	0.700	0.0412	.0012-.0025													
HONDA 1.8 LTS., 1.0 LTS.	HA-1	HA-1-1	1-2-3-4-5	0.705	0.0522	.0010-.0036	5/8	DBH-B-1	1.138-1.147	2	DBH-C-37	16	1.101	DBH-CO-32	13	1.1395			
		1.263-1.272	2	DBH-C-11	18	1.139											DBH-CO-11	18	
		1.098-1.107	2	DBH-C-32	7	1.208											DBH-CO-32	7	1.1000
		1.206-1.215	2	DBH-C-32	11	1.101											DBH-CO-32	13	
		1.206-1.215	2	DBH-C-32	11	1.101											DBH-CO-32	13	
HONDA 1.5 LTS., 2.2 LTS. PRELUDE, CIVIC	HA-3	HA-3-1	1	0.740	0.0522	.0011-.0031	5/8	DBH-B-1	1.098-1.107	2	DBH-C-32	7	1.184	DBH-CO-32	10	1.1000			
		HA-3-2	2-3-4-5	0.590	0.0522	.0011-.0031													
		HA-3-3	2-3-4-5	0.590	0.0522	.0011-.0031													
		HA-3-4	2-3-4-5	0.590	0.0522	.0011-.0031													
		HA-3-5	2-3-4-5	0.590	0.0522	.0011-.0031													
MITSUBISHI 1.6 LTS., 1.8 LTS., 2.4 LTS.	MA-1	MA-1-1	1	0.800	0.0423	.0011-.0038	7/8	DBH-B-2	1.334-1.345	2	DBH-C-8	14	1.422	DBH-CO-8	7	1.3358			
		MA-1-2	2-3-4-5	0.800	0.0423	.0011-.0038													